

Product Data

- 18 station presets
- Tune up/down and seek functions
- Non-glare, back-lit LCD display
- Power on/off switch
- Independent volume control
- MOH tuner output
- Use as a Unified Line Accessory card or stand-alone unit

Specifications:

AM Tuner

Band Ends:	530 to 1620 kHz
Sensitivity:	1000 μ V
Adjacent Ch rejection:	50dB
Image Ratio:	30dB
IF Rejection:	40dB
Frequency Response:	80 to 1800 Hz, \pm 3 dB
S/N ratio:	40 dB at 10mV/m
Distortion:	2% at 1 kHz
AGC Ratio:	45 dB at 100 mV

FM Tuner

Band Ends:	87.5 to 108 MHz
Sensitivity:	8 μ V
Adjacent Ch rejection:	50dB
Image Ratio:	30dB
IF Rejection:	70dB
FM Fidelity:	50 to 13 kHz, -3 dB
S/N ratio:	50 dB at 1 mV
Distortion:	0.9% at 75 kHz dev
AM Suppression:	40 dB at 75 kHz

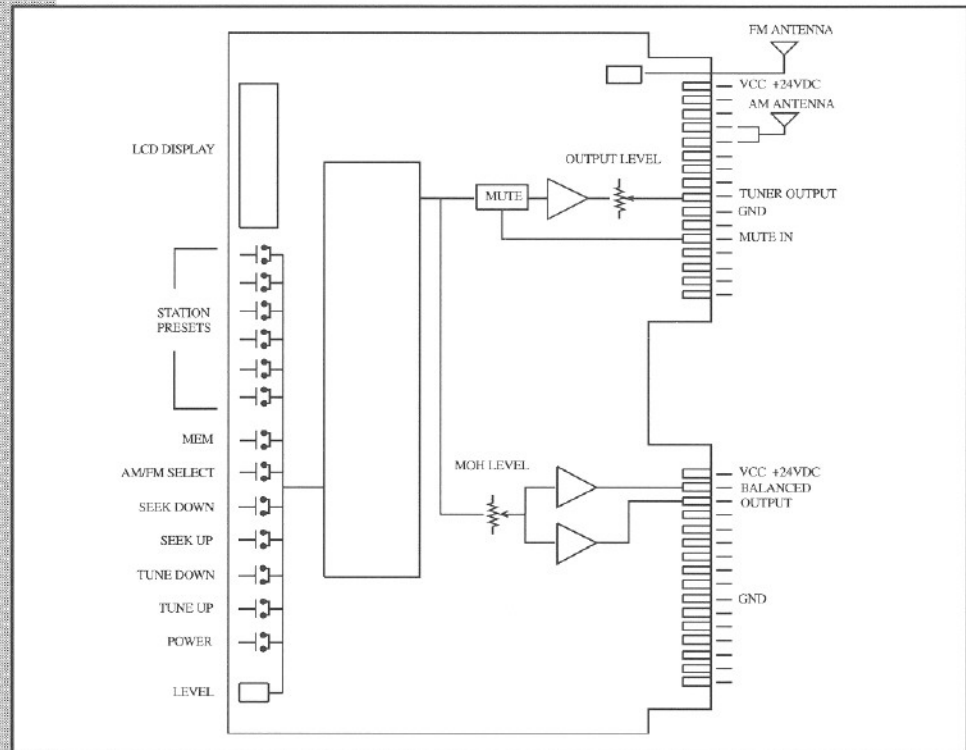
MOH Output:	2 VRMS at 75kHz dev
Power Requirements:	24 VDC, 150 mA
Shipping Weight:	2 lbs

Description

The DMT-200 is an AM/FM digital tuner designed to be used with the Unified Electronics Line products. The accessory card can be inserted into a MX-8 MixerDock™ mainframe, any of the 2000 Series PowerDock™ mainframes, or the MDC-200 MasterDock™ chassis. The tuner features a non-glare, back-lit LCD display and an 18 (6 AM and 12 FM) station memory. The DMT-200 has manual up and down tuning buttons, plus SEEK up/down controls. A power on/off push-button, plus a tuner vol-

ume control are located on the front panel. The tuner output is automatically sent to the mainframe mix buss without using an input channel. An additional tuner output is also available for use as an MOH source. The tuner interfaces with the mute buss of Unified mainframe units and will automatically mute when a priority page is made. Antenna connections are brought out to the rear panel of the Unified mainframe or MasterDock™ chassis.

Block Diagram



Architects', Engineer's and Consultant's Specifications

The digital tuner shall be the University Sound Model DMT-200. It shall have an 18 station memory, with 12 locations used for FM stations, and 6 locations used for AM stations. A non-glare, back-lit LCD display shall show station call letters and the selected frequency band. The DMT-200 shall have manual up and down tuning buttons in addition to SEEK up and down controls. A power on/off switch shall be located on the front panel, as well as a tuner volume control that shall adjust the output level of the tuner. A 600Ω balanced output suitable for music on hold (MOH) applications shall be available on

separate connections on the tuner. When used with a Unified mainframe unit, the DMT-200 shall interface with the mute buss to provide automatic muting when a priority signal is detected. All connections including antenna, output, and mute, shall be brought out to the rear of the tuner PCB and available on the card edge. The DMT-200 shall be powered from 24 VDC at 150 mA. The DMT-200 shall be fully compatible with all Unified Electronics Line products. The Model DMT-200 has been specified.

 **University
Sound** a MARK IV
company
P.O. Box 24031
Oklahoma City, OK 73124-4031
Phone (405) 324-5311
Fax (405) 324-8981